

**RTD with fixed flange** Flange DN25 PN16

**Element** 1 x Pt100/2 x PT100, changeable  $\varnothing 8\text{mm}$   
 2-,3-or 4-wire  
 Transmitter mounting possible (Sheet 18.1)

**Connecting Head** Type B at Aluminium to DIN 43729 with  
 M20 x 1,5 cable screw

**Connecting** Datasheet 19.20

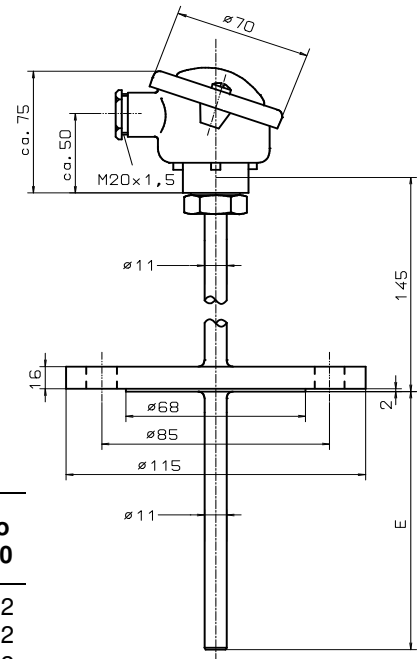
**Working-  
Temperature** to 550 °C

**Reaction Time** in Water 0,4 m/s :  $t_{0,5} \approx 30\text{ s}$ ,  $t_{0,9} \approx 90\text{ s}$   
 (Middle) in Air 1m/s :  $t_{0,5} \approx 2,5\text{min}$ ,  $t_{0,9} \approx 6,6\text{ min}$

**Drawing shortcuts** 19.21

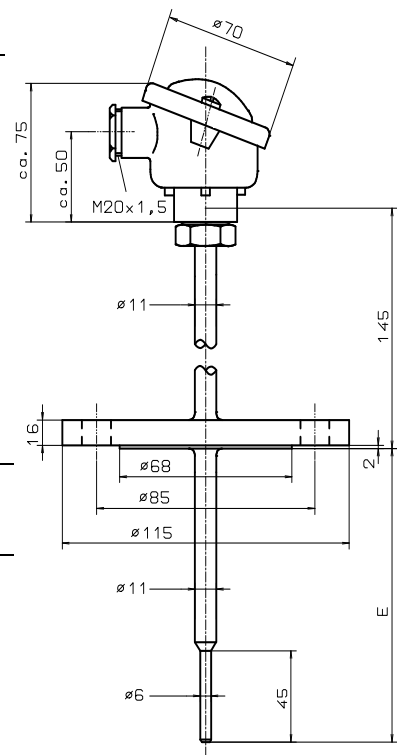
Execution Normally Pipe 11 mm  $\varnothing$

Pipe Material	E=Insert- Length in mm	Wight in Kg	Internal Pipe Length	Order-No. 1 x PT100	Order-No 2 x PT100
X6 CrNiTi 1810 <b>1.4541</b>	100	1,4	255	4.31.04.11	4.31.04.12
	160	1,5	315	4.31.04.21	4.31.04.22
	250	1,6	405	4.31.04.31	4.31.04.32
	400	1,8	555	4.31.04.41	4.31.04.42
X6 CrNiTi 17122 <b>1.4571</b>	100	1,4	255	4.31.20.11	4.31.20.12
	160	1,5	315	4.31.20.21	4.31.20.22
	250	1,6	405	4.31.20.31	4.31.20.32
	400	1,8	555	4.31.20.41	4.31.20.42
Increase-		3-wire-circuit		4.31.00.03	4.31.00.23
Increase-		4-wire-circuit		4.31.00.04	4.31.00.24



**Execution** Fast reaction Typ  
**Reaction Time** in Water 0,4 m/s :  $t_{0,5} \approx 20\text{ s}$ ,  $t_{0,9} \approx 60\text{ s}$   
 (Middle) in Air 1m/s :  $t_{0,5} \approx 2,0\text{ min}$ ,  $t_{0,9} \approx 6,0\text{ min}$

Pipe Material	E=Insert- Length in mm	Wight in Kg	Internal Pipe Length	Order-No. 1 x PT100	Order-No 2 x PT100
X6 CrNiTi 1810 <b>1.4541</b>	100	1,4	255	4.31.04.51	4.31.04.52
	160	1,5	315	4.31.04.61	4.31.04.62
	250	1,6	405	4.31.04.71	4.31.04.72
	400	1,8	555	4.31.04.81	4.31.04.82
X6 CrNiTi 17122 <b>1.4571</b>	100	1,4	255	4.31.20.51	4.31.20.52
	160	1,5	315	4.31.20.61	4.31.20.62
	250	1,6	405	4.31.20.71	4.31.20.72
	400	1,8	555	4.31.20.81	4.31.20.82
Increase-		3-wire-circuit		4.31.00.03	4.31.00.23
Increase-		4-wire-circuit		4.31.00.04	4.31.00.24



Another Version's in Length and Material are possible