

**Screw-in resistance thermometer form B according to DIN 43763**

with neck tube, the sensor tube 9 x 1 mm

**Measuring insert** 1 x PT 100 / 2 x PT 100, changeable 6 mm Ø  
 2- 3- or 4-wire technology  
 Transmitter installation possible (Sheet 18.10)

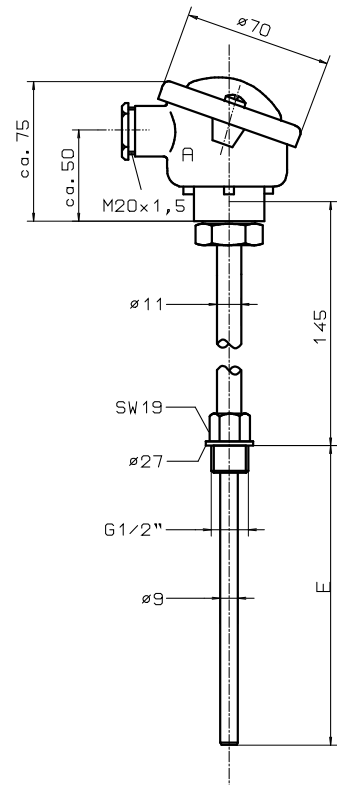
**Connection head** Form B of light alloy according to DIN 43729 with  
 M 20 x 1.5 cable entry

**Connection diagram** See sheet 19.20

**Operating temperature** according to chart sheet 1.1

**Response time (Average value)**  
 in Water 0,4 m/s :  $t_{0,5} \approx 25$  s,  $t_{0,9} \approx 75$  s  
 in Air 1 m/s :  $t_{0,5} \approx 2$  min,  $t_{0,9} \approx 6,3$  min

**Version** Sensor tube to DIN 43763 Form B, Thermowell 9 x 1 mm,  
 2-wire technology  
 Material 1.4541 stainless steel (V2A) X6 CrNiTi 1810



Thermowell Material	E in mm	Weight in kg	Measuring insert length	Order no. 1 x PT100	Order no. 2 x PT100	Delivery time
1.4541	50	0,8	205	4.10.04.41	4.10.04.42	All models are available by arrangement
	100	0,8	255	4.10.04.51	4.10.04.52	
	160	0,9	315	4.10.04.11	4.10.04.12	
	200	0,9	355	4.10.04.61	4.10.04.62	
	250	1,0	405	4.10.04.21	4.10.04.22	
	300	1,0	455	4.10.04.91	4.10.04.92	
	350	1,0	505	4.10.04.71	4.10.04.72	
	400	1,1	555	4.10.04.31	4.10.04.32	
	500	1,2	655	4.10.04.81	4.10.04.82	
Surcharge			3- wire circuit	4.10.00.03	4.10.00.23	
			4- wire circuit	4.10.00.04	4.10.00.24	

**Version** Sensor tube to DIN 43763 Form B, Thermowell 9 x 1 mm,  
 2-wire technology  
 Material 1.4571 stainless steel (V4A) X6 CrNiMoTi 17122

Thermowell Material	E in mm	Weight in kg	Measuring insert length	Order no. 1 x PT100	Order no. 2 x PT100	Delivery time
1.4571	50	0,8	205	4.10.20.41	4.10.20.42	All models are available by arrangement
	100	0,8	255	4.10.20.51	4.10.20.52	
	160	0,9	315	4.10.20.11	4.10.20.12	
	200	0,9	355	4.10.20.61	4.10.20.62	
	250	1,0	405	4.10.20.21	4.10.20.22	
	300	1,0	455	4.10.20.91	4.10.20.92	
	350	1,0	505	4.10.20.71	4.10.20.72	
	400	1,1	555	4.10.20.31	4.10.20.32	
	500	1,2	655	4.10.20.81	4.10.20.82	
Surcharge			3- wire circuit	4.10.00.03	4.10.00.23	
			4- wire circuit	4.10.00.04	4.10.00.24	

Versions in other nominal lengths and materials possible