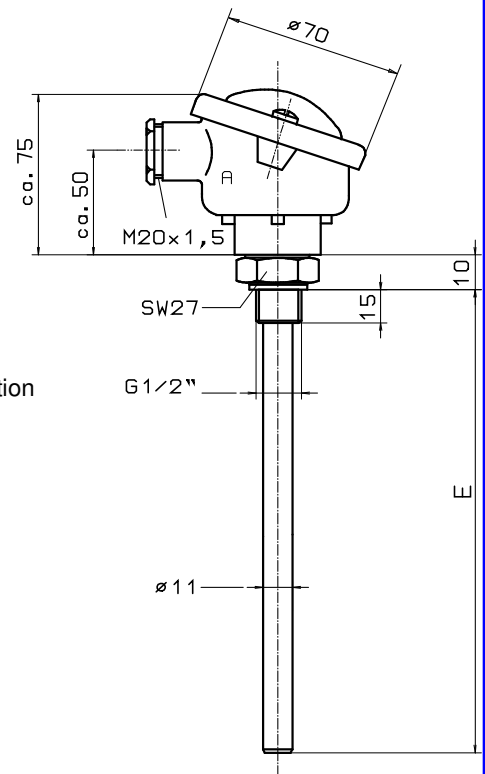


Immersion Resistance thermometer with head form B

without neck tube , the sensor tube 11x1 mm

- Measuring insert** 1 x PT 100 / 2 x PT 100, changeable 8 mm Ø
 2- 3- 4-wire technology
 Transmitter installation possible (Sheet 18.10)
- Connection head** Form B of light alloy according to DIN 43729 with
 M 20 x 1.5 cable entry
- Connection diagram** See sheet 19.20
- Operating temperature** normal up to 150 ° C due to the heating of the connection
 head. With adequate head cooling used for higher
 temperatures; according to chart sheet 1.1
- Response time
 (Average value)** in Water 0,4 m/s : $t_{0,5} \approx 30$ s, $t_{0,9} \approx 90$ s
 in Air 1 m/s : $t_{0,5} \approx 2,5$ min, $t_{0,9} \approx 6,5$ min


Version Material 1.4541 (V2A) stainless steel X6 CrNiTi 1810

Thermowell Material	E in mm	Weight in kg	Measuring insert length	Order no. 1 x PT100	Order no. 2 x PT100	Delivery time
1.4541	100	0,6	140	4.16.04.11	4.16.04.12	All models are available by arrangement
	160	0,6	200	4.16.04.21	4.16.04.22	
	200	0,7	240	4.16.04.61	4.16.04.62	
	250	0,8	290	4.16.04.31	4.16.04.32	
	300	0,9	340	4.16.04.71	4.16.04.72	
	350	0,9	390	4.16.04.41	4.16.04.42	
	400	1,0	440	4.16.04.81	4.16.04.82	
	500	1,1	540	4.16.04.51	4.16.04.52	
	600	1,2	640	4.16.04.91	4.16.04.92	
	Surcharge			3- wire circuit	4.16.00.03	
			4- wire circuit	4.16.00.04	4.16.00.24	

Version Material 1.4571 (V4A) stainless steel X6 CrNiMoTi 17222

Thermowell Material	E in mm	Weight in kg	Measuring insert length	Order no. 1 x PT100	Order no. 2 x PT100	Delivery time
1.4571	100	0,6	140	4.16.20.11	4.16.20.12	All models are available by arrangement
	160	0,6	200	4.16.20.21	4.16.20.22	
	200	0,7	240	4.16.20.61	4.16.20.62	
	250	0,8	290	4.16.20.31	4.16.20.32	
	300	0,9	340	4.16.20.71	4.16.20.72	
	350	0,9	390	4.16.20.41	4.16.20.42	
	400	1,0	440	4.16.20.81	4.16.20.82	
	500	1,1	540	4.16.20.51	4.16.20.52	
	600	1,2	640	4.16.20.91	4.16.20.92	
	Surcharge			3- wire circuit	4.16.00.03	
			4- wire circuit	4.16.00.04	4.16.00.24	

Versions in other stroke lengths and materials possible.