

Thermocouple EEx ia

ATEX Typ 4.48.xx.xx und 4.91.xx.xx

Protection zone Ex II 2G EEx ia II C T5-T6 / IM2 EEx ia I

Measuring insert Thermocouple NiCr -Ni Fe -CuNi , PT100 see chapter 3.5 / 8.3

Certification BVS 03 ATEX E 292

Measuring range -40 to 200°C

Ambient temperature -40 to 100°C

Armature Stainless steel M.-No.1.4541 or M.No.1.4571

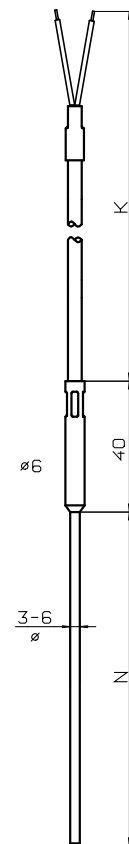
Connection 1m long coat with PTFE or PFA and internal Beaded and braided sleeve shed VA

Safety and health requirements EN50021:1999

Voltage U max.15mV at 200°C

Material Armature 1.4571

4.48.xx.xx


Push-in resistance thermometer with rigid probe tube

Version 4.48.xx.xx 3 mm Ø

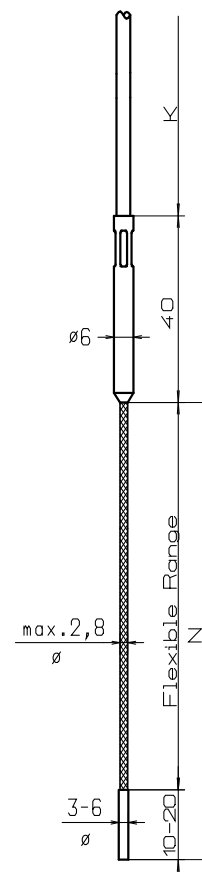
N in mm	Order no. 1 x Fe-CuNi	Order no. 2 x Fe-CuNi	Order no. 1 x NiCr-Ni	Order no. 2 x NiCr-Ni
50	4.48.44.11	4.48.44.12	4.48.45.11	4.48.45.12
100	4.48.44.21	4.48.44.22	4.48.45.21	4.48.45.22
150	4.48.44.31	4.48.44.32	4.48.45.31	4.48.45.32
200	4.48.44.41	4.48.44.42	4.48.45.41	4.48.45.42
250	4.48.44.51	4.48.44.52	4.48.45.51	4.48.45.52
Addition				
Eper50mm	4.48.44.10	4.48.44.20	4.48.45.10	4.48.45.20
Cable per 1m	4.48.44.01	4.48.44.02	4.48.45.01	4.48.45.02
Tip 4 mm Ø	4.48.44.13	4.48.44.23	4.48.45.13	4.48.45.23
Tip 6 mm Ø	4.48.44.14	4.48.44.24	4.48.45.14	4.48.45.24

Resistance thermometer with flexible probe head

Version 3 mm Ø

N in mm	Order no. 1 x Fe-CuNi	Order no. 2 x Fe-CuNi	Order no. 1 x NiCr-Ni	Order no. 2 x NiCr-Ni
50	4.91.44.11	4.91.44.12	4.91.45.11	4.91.45.12
100	4.91.44.21	4.91.44.22	4.91.45.21	4.91.45.22
150	4.91.44.31	4.91.44.32	4.91.45.31	4.91.45.32
200	4.91.44.41	4.91.44.42	4.91.45.41	4.91.45.42
250	4.91.44.51	4.91.44.52	4.91.45.51	4.91.45.52
Addition				
Eper50mm	4.91.44.10	4.91.44.20	4.91.45.10	4.91.45.20
Cable per 1m	4.91.44.01	4.91.44.02	4.91.45.01	4.91.45.02
Tip 3,5 mm	4.91.44.15	4.91.44.25	4.91.45.15	4.91.45.25
Tip 4 mm	4.91.44.14	4.91.44.24	4.91.45.14	4.91.45.24
Tip 6 mm	4.91.44.16	4.91.44.26	4.91.45.16	4.91.45.26

4.91.xx.xx


ATEX acceptance certificate on request

Thermocouple EEx ia

ATEX Typ 4.48.xx.xx und 4.91.xx.xx

Protection zone	Ex II 2G EEx ia II C T5-T6 / IM2 EEx ia I
Measuring insert	Thermocouple NiCr -Ni Fe -CuNi , PT100 see chapter 3.5 / 8.3
Certification	BVS 03 ATEX E 292
Measuring range	-40 to 200°C
Ambient temperature	-40 to 100°C
Armature	Stainless steel M.-No.1.4541 or M.No.1.4571
Connection	1m long coat with PTFE or PFA and internal Beaded and braided sleeve shed VA
Safety and health requirements	EN60079:2006 EN61241:2006
Voltage	U max.15mV at 200°C
Material	Armature 1.4571

Push-in resistance thermometer with rigid probe tube

Version 4.48.xx.xx 3 mm Ø

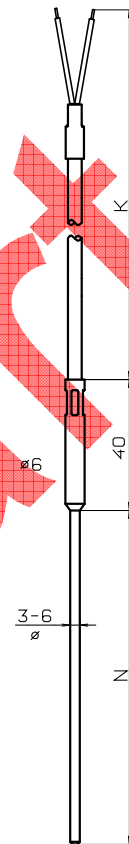
N in mm	Order no. 1 x Fe-CuNi	Order no. 2 x Fe-CuNi	Order no. 1 x NiCr-Ni	Order no. 2 x NiCr-Ni
50	4.48.44.11	4.48.44.12	4.48.45.11	4.48.45.12
100	4.48.44.21	4.48.44.22	4.48.45.21	4.48.45.22
150	4.48.44.31	4.48.44.32	4.48.45.31	4.48.45.32
200	4.48.44.41	4.48.44.42	4.48.45.41	4.48.45.42
250	4.48.44.51	4.48.44.52	4.48.45.51	4.48.45.52
Addition				
Eper50mm	4.48.44.10	4.48.44.20	4.48.45.10	4.48.45.20
Cable per 1m	4.48.44.01	4.48.44.02	4.48.45.01	4.48.45.02
Tip 4 mm Ø	4.48.44.13	4.48.44.23	4.48.45.13	4.48.45.23
Tip 6 mm Ø	4.48.44.14	4.48.44.24	4.48.45.14	4.48.45.24

Resistance thermometer with flexible probe head

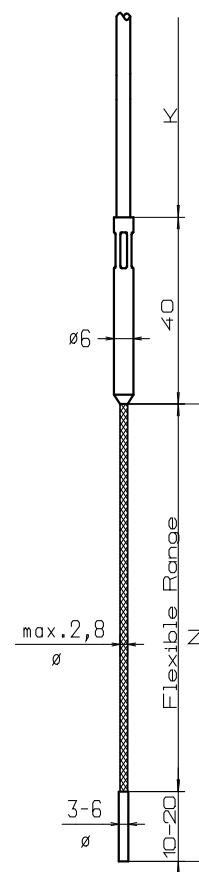
Version 3 mm Ø

N in mm	Order no. 1 x Fe-CuNi	Order no. 2 x Fe-CuNi	Order no. 1 x NiCr-Ni	Order no. 2 x NiCr-Ni
50	4.91.44.11	4.91.44.12	4.91.45.11	4.91.45.12
100	4.91.44.21	4.91.44.22	4.91.45.21	4.91.45.22
150	4.91.44.31	4.91.44.32	4.91.45.31	4.91.45.32
200	4.91.44.41	4.91.44.42	4.91.45.41	4.91.45.42
250	4.91.44.51	4.91.44.52	4.91.45.51	4.91.45.52
Addition				
Eper50mm	4.91.44.10	4.91.44.20	4.91.45.10	4.91.45.20
Cable per 1m	4.91.44.01	4.91.44.02	4.91.45.01	4.91.45.02
Tip 3,5 mm	4.91.44.15	4.91.44.25	4.91.45.15	4.91.45.25
Tip 4 mm	4.91.44.14	4.91.44.24	4.91.45.14	4.91.45.24
Tip 6 mm	4.91.44.16	4.91.44.26	4.91.45.16	4.91.45.26

4.48.xx.xx



4.91.xx.xx



**This product can still be ordered as a spare part .
 New parts are replaced by 4.68 / 4.69 with the latest Ex Standard**

Thermocouple Ex ia

ATEX Typ 4.68.xx.xx und 4.91.xx.xx

Protection zone Ex II 2G Ex ia IIC T4/T6 Gb / Ex IM2 Ex ia I Mb

Measuring insert Thermocouple NiCr -Ni Fe -CuNi , PT100 see chapter 3.5 / 8.3

Certification BVS 03 ATEX E 292

Measuring range -40 to 200°C

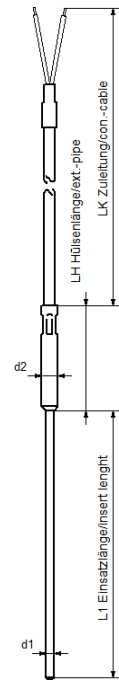
Ambient temperature -40 to 100°C

Armature Stainless steel M.-No.1.4541 or M.No.1.4571

Connection 1m long coat with PTFE or PFA and internal Beaded and braided sleeve shed VA

Safety and health requirements EN60079:2006
 EN61241:2006

Voltage U max.15mV at 200°C

Material Armature 1.4571

4,68, ** **
Push-in resistance thermometer with rigid probe tube

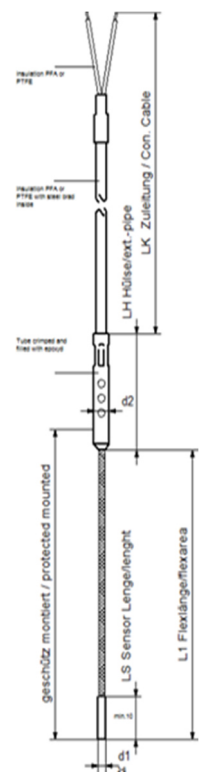
Version 4.68.xx.xx 3 mm Ø

N in mm	Order no. 1 x Fe-CuNi	Order no. 2 x Fe-CuNi	Order no. 1 x NiCr-Ni	Order no. 2 x NiCr-Ni
50	4.68.44.11	4.68.44.12	4.68.45.11	4.68.45.12
100	4.68.44.21	4.68.44.22	4.68.45.21	4.68.45.22
150	4.68.44.31	4.68.44.32	4.68.45.31	4.68.45.32
200	4.68.44.41	4.68.44.42	4.68.45.41	4.68.45.42
250	4.68.44.51	4.68.44.52	4.68.45.51	4.68.45.52
tion				
Eper50mm	4.68.44.10	4.68.44.20	4.68.45.10	4.68.45.20
Cable per 1m	4.68.44.01	4.68.44.02	4.68.45.01	4.68.45.02
Tip 4 mm Ø	4.68.44.13	4.68.44.23	4.68.45.13	4.68.45.23
Tip 6 mm Ø	4.68.44.14	4.68.44.24	4.68.45.14	4.68.45.24

Resistance thermometer with flexible probe head

Version 3 mm Ø

N in mm	Order no. 1 x Fe-CuNi	Order no. 2 x Fe-CuNi	Order no. 1 x NiCr-Ni	Order no. 2 x NiCr-Ni
50	4.91.44.11	4.91.44.12	4.91.45.11	4.91.45.12
100	4.91.44.21	4.91.44.22	4.91.45.21	4.91.45.22
150	4.91.44.31	4.91.44.32	4.91.45.31	4.91.45.32
200	4.91.44.41	4.91.44.42	4.91.45.41	4.91.45.42
250	4.91.44.51	4.91.44.52	4.91.45.51	4.91.45.52
Addition				
Eper50mm	4.91.44.10	4.91.44.20	4.91.45.10	4.91.45.20
Cable per 1m	4.91.44.01	4.91.44.02	4.91.45.01	4.91.45.02
Tip 3,5 mm	4.91.44.15	4.91.44.25	4.91.45.15	4.91.45.25
Tip 4 mm	4.91.44.14	4.91.44.24	4.91.45.14	4.91.45.24
Tip 6 mm	4.91.44.16	4.91.44.26	4.91.45.16	4.91.45.26


4,69, ** **

ATEX acceptance certificate on request

Push-in resistance thermometer made of stainless steel
with EEx d cable gland for cable Ø 7-9mm
EExd Atex Certification-Nr.BVS 04 ATEX E 138 X

Safety class Ex II 2G EEx d II C T3-T6 / IM2 EEx d I
Measuring insert 1xFe-CuNi 2x Fe-CuNi / 1xNiCr-Ni 2xNiCr-Ni / PT100 see chapter 8
Ambient temperature stainless steel head : -20 to 60°C
Medium Temperature : Type 7.01.xx.xx : -20°C to 95°C
 : Type 7.11.xx.xx : -20°C to 195°C
Thermowell Stainless steel M-No. 1.4541 / 1.4571 , 5-14 mm Ø
Connection head VA, Ø 30mm, with max. 4 -pin terminal block or connection cable
System connection Screw sliding, see data sheet 18.5 / 18.6 / 18.7
Connection diagram Data sheet 19.20

Typ 7.01 30VA -20°C to 95°C

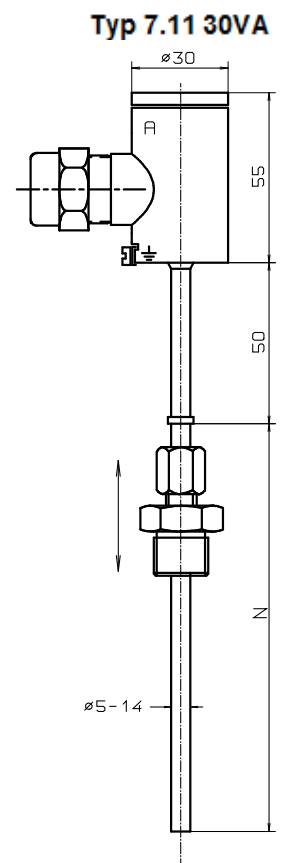
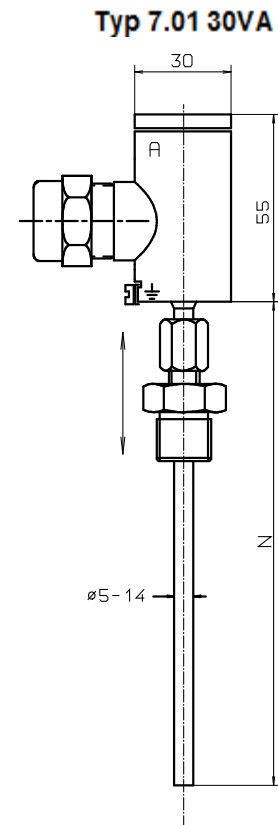
Version Ø 6mm		Material 1.4541		Material 1.4571	
-20 to 95°C	N	Order no. 1xFe-CuNi	Order no. 2xFe-CuNi	Order no. 1xNiCr-Ni	Order no. 2xNiCr-Ni
	50	7.01.62.13	7.01.62.14	7.01.64.15	7.01.64.16
	100	7.01.62.23	7.01.62.24	7.01.64.25	7.01.64.26
	150	7.01.62.33	7.01.62.34	7.01.64.35	7.01.64.36
	200	7.01.62.43	7.01.62.44	7.01.64.45	7.01.64.46
	250	7.01.62.53	7.01.62.54	7.01.64.55	7.01.64.56
	300	7.01.62.63	7.01.62.64	7.01.64.65	7.01.64.66
Surcharge					
per 50 mm N		7.01.65.23	7.01.65.24	7.01.65.45	7.01.65.46
Version 5mm Ø		7.01.52.03	7.01.52.04	7.01.54.05	7.01.54.06
Version 8mm Ø		7.01.82.03	7.01.82.04	7.01.84.05	7.01.84.06
Version 10mm Ø		7.01.02.03	7.01.02.04	7.01.04.05	7.01.04.06
Version 12mm Ø		7.01.22.03	7.01.22.04	7.01.24.05	7.01.24.06
Version 14mm Ø		7.01.42.03	7.01.42.04	7.01.44.05	7.01.44.06

Typ 7.11 30VA -20°C to 195°C with 50mm neck tube

Version Ø 6mm		Material 1.4541		Material 1.4571	
-20 to 195°C	N	Order no. 1xFe-CuNi	Order no. 2xFe-CuNi	Order no. 1xNiCr-Ni	Order no. 2xNiCr-Ni
	50	7.11.62.13	7.11.62.14	7.11.64.15	7.11.64.16
	100	7.11.62.23	7.11.62.24	7.11.64.25	7.11.64.26
	150	7.11.62.33	7.11.62.34	7.11.64.35	7.11.64.36
	200	7.11.62.43	7.11.62.44	7.11.64.45	7.11.64.46
	250	7.11.62.53	7.11.62.54	7.11.64.55	7.11.64.56
	300	7.11.62.63	7.11.62.64	7.11.64.65	7.11.64.66
Surcharge					
per 50 mm N		7.11.65.23	7.11.65.24	7.11.65.45	7.11.65.46
Version 5mm Ø		7.11.52.03	7.11.52.04	7.11.54.05	7.11.54.06
Version 8mm Ø		7.11.82.03	7.11.82.04	7.11.84.05	7.11.84.06
Version 10mm Ø		7.11.02.03	7.11.02.04	7.11.04.05	7.11.04.06
Version 12mm Ø		7.11.22.03	7.11.22.04	7.11.24.05	7.11.24.06
Version 14mm Ø		7.11.42.03	7.11.42.04	7.11.44.05	7.11.44.06

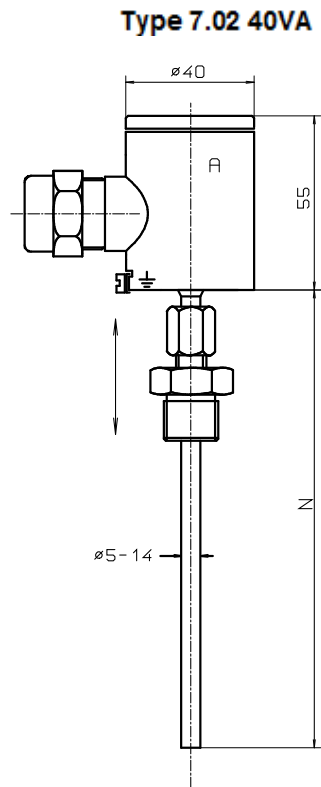
Version with cable for Type 7.01.xx.xx and Type 7.11.xx.xx

Surcharge per meter			
1xFe-CuNi	2xFe-CuNi	1xNiCr-Ni	2xNiCr-Ni
7.10.00.03	7.10.00.05	7.10.00.07	7.10.00.09



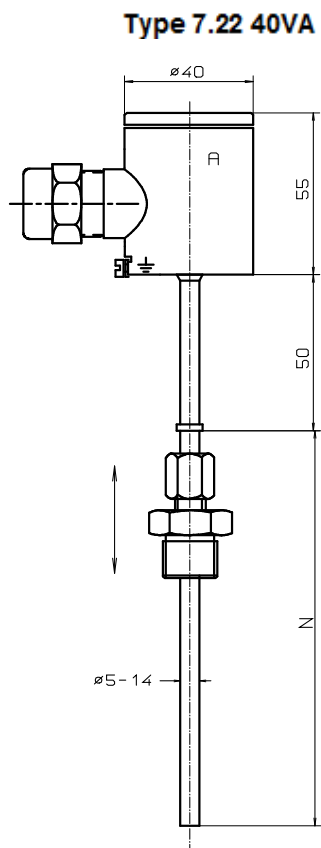
Push-in resistance thermometer made of stainless steel
with EEx d cable gland for cable Ø 7-9mm
EExd Atex Certification-Nr.BVS 04 ATEX E 138 X

Safety class Ex II 2G EEx d II C T3-T6 / IM2 EEx d I
Measuring insert 1xFe-CuNi 2xFe-CuNi / 1xNiCr-Ni 2xNiCr-Ni / PT100 see chapter 8
Ambient temperature stainless steel head : -20 to 60°C
Medium Temperature : **Type 7.02.xx.xx** :-20°C to 95°C
 : **Type 7.22.xx.xx** :-20°C to 195°C
Thermowell Stainless steel M-No. 1.4541 / 1.4571 , 5-14 mm Ø
Connection head VA, Ø 40mm, with max. 4 -pin terminal block or connection cable
System connection Screw sliding, see data sheet 18.5 / 18.6 / 18.7
Connection diagram Data sheet 19.20



Type 7.02 40VA		-20°C to 95°C			
Version Ø 6mm		Material 1.4541		Material 1.4571	
-20 to 95°C	N	Order no. 1xFe-CuNi	Order no. 2xFe-CuNi	Order no. 1xNiCr-Ni	Order no. 2xNiCr-Ni
	50	7.02.62.13	7.02.62.14	7.02.64.15	7.02.64.16
	100	7.02.62.23	7.02.62.24	7.02.64.25	7.02.64.26
	150	7.02.62.33	7.02.62.34	7.02.64.35	7.02.64.36
	200	7.02.62.43	7.02.62.44	7.02.64.45	7.02.64.46
	250	7.02.62.53	7.02.62.54	7.02.64.55	7.02.64.56
	300	7.02.62.63	7.02.62.64	7.02.64.65	7.02.64.66
Surcharge					
per 50 mm N		7.02.65.23	7.02.65.24	7.02.65.45	7.02.65.46
Version 5mm Ø		7.02.52.03	7.02.52.04	7.02.54.05	7.02.54.06
Version 8mm Ø		7.02.82.03	7.02.82.04	7.02.84.05	7.02.84.06
Version 10mm Ø		7.02.02.03	7.02.02.04	7.02.04.05	7.02.04.06
Version 12mm Ø		7.02.22.03	7.02.22.04	7.02.24.05	7.02.24.06
Version 14mm Ø		7.02.42.03	7.02.42.04	7.02.44.05	7.02.44.06

Type 7.22 40VA		-20°C to 195°C				with 50mm neck tube
Version Ø 6mm		Material 1.4541		Material 1.4571		
-20 to 195°C	N	Order no. 1xFe-CuNi	Order no. 2xFe-CuNi	Order no. 1xNiCr-Ni	Order no. 2xNiCr-Ni	
	50	7.22.62.11	7.22.62.12	7.22.64.15	7.22.64.16	
	100	7.22.62.21	7.22.62.22	7.22.64.25	7.22.64.26	
	150	7.22.62.31	7.22.62.32	7.22.64.35	7.22.64.36	
	200	7.22.62.41	7.22.62.42	7.22.64.45	7.22.64.46	
	250	7.22.62.51	7.22.62.52	7.22.64.55	7.22.64.56	
	300	7.22.62.61	7.22.62.62	7.22.64.65	7.22.64.66	
Surcharge						
per 50 mm N		7.22.65.21	7.22.65.22	7.22.65.45	7.22.65.46	
Version 5mm Ø		7.22.52.01	7.22.52.02	7.22.54.05	7.22.54.06	
Version 8mm Ø		7.22.82.01	7.22.82.02	7.22.84.05	7.22.84.06	
Version 10mm Ø		7.22.02.01	7.22.02.02	7.22.04.05	7.22.04.06	
Version 12mm Ø		7.22.22.01	7.22.22.02	7.22.24.05	7.22.24.06	
Version 14mm Ø		7.22.42.01	7.22.42.02	7.22.44.05	7.22.44.06	



Version with cable for Type 7.02.xx.xx and Type 7.22.xx.xx

Surcharge per meter			
1xFe-CuNi	2xFe-CuNi	1xNiCr-Ni	2xNiCr-Ni
7.10.00.03	7.10.00.05	7.10.00.07	7.10.00.09

Push-in resistance thermometer made of stainless steel
 with EEx d cable gland for cable Ø 7-9mm
 EExd Atex Certification-Nr.BVS 04 ATEX E 138 X

Safety class Ex II 2G EEx d II C T3-T6 / IM2 EEx d I
Measuring insert 1xFe-CuNi 2xFe-CuNi / 1xNiCr-Ni 2xNiCr-Ni / PT100 see chapter 8
Ambient temperature stainless steel head : -20 to 60°C
Medium Temperature : **Type 7.03.xx.xx** :-20°C to 95°C
 : **Type 7.33.xx.xx** :-20°C to 195°C
Thermowell Stainless steel M-No. 1.4541 / 1.4571 , 5-10 mm Ø
Connection head VA, Ø 55mm, **Transmitter installation possible**
System connection Screw sliding, see data sheet 18.5 / 18.6 / 18.7
Connection diagram Data sheet 19.20

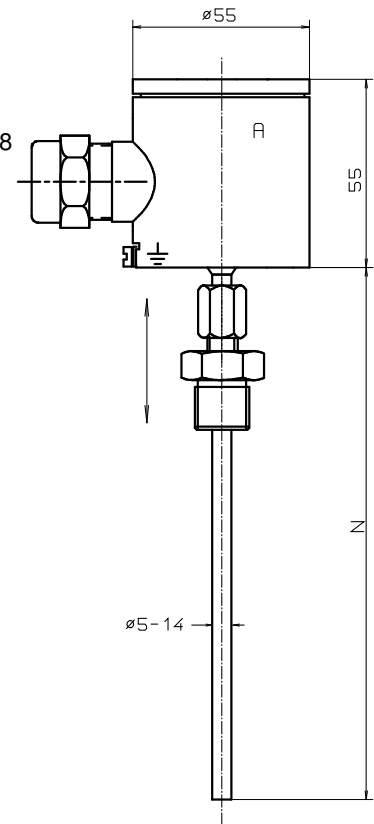
Typ 7.03 55VA		-20°C to 95°C			
Version Ø 6mm		Material 1.4541		Material 1.4571	
-20 to 95°C	N	Order no. 1xFe-CuNi	Order no. 2xFe-CuNi	Order no. 1xNiCr-Ni	Order no. 2xNiCr-Ni
	50	7.03.62.13	7.03.62.14	7.03.64.15	7.03.64.16
	100	7.03.62.23	7.03.62.24	7.03.64.25	7.03.64.26
	150	7.03.62.33	7.03.62.34	7.03.64.35	7.03.64.36
	200	7.03.62.43	7.03.62.44	7.03.64.45	7.03.64.46
	250	7.03.62.53	7.03.62.54	7.03.64.55	7.03.64.56
	300	7.03.62.63	7.03.62.64	7.03.64.65	7.03.64.66
Surcharge					
per 50 mm N		7.03.65.23	7.03.65.24	7.03.65.45	7.03.65.46
Version 5mm Ø		7.03.52.03	7.03.52.04	7.03.54.05	7.03.54.06
Version 8mm Ø		7.03.82.03	7.03.82.04	7.03.84.05	7.03.84.06
Version 10mm Ø		7.03.02.03	7.03.02.04	7.03.04.05	7.03.04.06
Version 12mm Ø		7.03.22.03	7.03.22.04	7.03.24.05	7.03.24.06
Version 14mm Ø		7.03.42.03	7.03.42.04	7.03.44.05	7.03.44.06

Typ 7.33 55VA		-20°C to 195°C				with 50mm neck tube
Version Ø 6mm		Material 1.4541		Material 1.4571		
-20 to 195°C	N	Order no. 1xFe-CuNi	Order no. 2xFe-CuNi	Order no. 1xNiCr-Ni	Order no. 2xNiCr-Ni	
	50	7.33.62.13	7.33.62.14	7.33.64.15	7.33.64.16	
	100	7.33.62.23	7.33.62.24	7.33.64.25	7.33.64.26	
	150	7.33.62.33	7.33.62.34	7.33.64.35	7.33.64.36	
	200	7.33.62.43	7.33.62.44	7.33.64.45	7.33.64.46	
	250	7.33.62.53	7.33.62.54	7.33.64.55	7.33.64.56	
	300	7.33.62.63	7.33.62.64	7.33.64.65	7.33.64.66	
Surcharge						
per 50 mm N		7.33.65.23	7.33.65.24	7.33.65.04	7.33.65.46	
Version 5mm Ø		7.33.52.03	7.33.52.04	7.33.54.05	7.33.54.06	
Version 8mm Ø		7.33.82.03	7.33.82.04	7.33.84.05	7.33.84.06	
Version 10mm Ø		7.33.02.03	7.33.02.04	7.33.04.05	7.33.04.06	
Version 12mm Ø		7.33.22.03	7.33.22.04	7.33.24.05	7.33.24.06	
Version 14mm Ø		7.33.42.03	7.33.42.04	7.33.44.05	7.33.44.06	

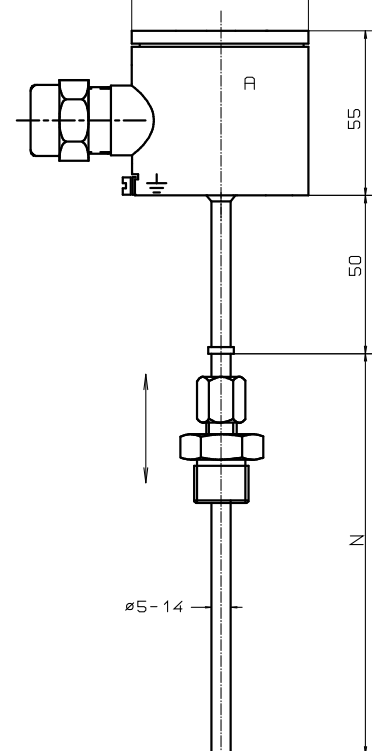
Version with cable for Type 7.03.xx.xx and Type 7.33.xx.xx

Surcharge per meter			
1xFe-CuNi	2xFe-CuNi	1xNiCr-Ni	2xNiCr-Ni
7.10.00.03	7.10.00.05	7.10.00.03	7.10.00.05

Type 7.03 55VA



Type 7.33 55VA



Push-in resistance thermometer made of stainless steel
with EEx d cable gland for cable Ø 7-9mm
EExd Atex Certification-Nr.BVS 04 ATEX E 138 X

Safety class Ex II 2G EEx d II C T3-T6 / IM2 EEx d I
Measuring insert 1xFe-CuNi 2x Fe-CuNi / 1xNiCr-Ni 2xNiCr-Ni / PT100 see chapter 8
Ambient temperature stainless steel head : -20 to 60°C
Medium Temperature : **Type 7.04.xx.xx** :-20°C to 95°C
 : **Type 7.44.xx.xx** :-20°C to 195°C
Thermowell Stainless steel M-No. 1.4541 / 1.4571 , 5-10 mm Ø
Connection head VA, Ø 75mm, **Transmitter installation possible**
System connection See data sheet 18.5 / 18.6 / 18.7
Connection diagram Data sheet 19.20

Typ 7.04 75VA		-20°C to 95°C			
Version Ø 6mm		Material 1.4541		Material 1.4571	
-20 to 95°C	N	Order no. 1xFe-CuNi	Order no. 2xFe-CuNi	Order no. 1xNiCr-Ni	Order no. 2xNiCr-Ni
	50	7.04.62.13	7.04.62.14	7.04.64.15	7.04.64.16
	100	7.04.62.23	7.04.62.24	7.04.64.25	7.04.22.26
	150	7.04.62.33	7.04.62.34	7.04.64.35	7.04.64.36
	200	7.04.62.43	7.04.62.44	7.04.64.45	7.04.64.46
	250	7.04.62.53	7.04.62.54	7.04.64.55	7.04.64.56
	300	7.04.62.63	7.04.62.64	7.04.64.65	7.04.64.66
Surcharge					
per 50 mm N		7.04.65.23	7.04.65.24	7.04.65.45	7.04.65.46
Version 5mm Ø		7.04.52.03	7.04.52.04	7.04.54.05	7.04.54.06
Version 8mm Ø		7.04.82.03	7.04.82.04	7.04.84.05	7.04.84.06
Version 10mm Ø		7.04.12.03	7.04.12.04	7.04.14.05	7.04.14.06

Typ 7.44 75VA		-20°C to 195°C				with 50mm neck tube
Version Ø 6mm		Material 1.4541		Material 1.4571		
-20 to 195°C	N	Order no. 1xFe-CuNi	Order no. 2xFe-CuNi	Order no. 1xNiCr-Ni	Order no. 2xNiCr-Ni	
	50	7.44.62.13	7.44.62.14	7.44.64.15	7.44.64.16	
	100	7.44.62.23	7.44.62.24	7.44.64.25	7.44.64.26	
	150	7.44.62.33	7.44.62.34	7.44.64.35	7.44.64.36	
	200	7.44.62.43	7.44.62.44	7.44.64.45	7.44.64.46	
	250	7.44.62.53	7.44.62.54	7.44.64.55	7.44.64.56	
	300	7.44.62.63	7.44.62.64	7.44.64.65	7.44.64.66	
Surcharge						
per 50 mm N		7.44.65.23	7.44.65.24	7.44.65.45	7.44.65.46	
Version 5mm Ø		7.44.52.03	7.44.52.04	7.44.54.05	7.44.54.06	
Version 8mm Ø		7.44.82.03	7.44.82.04	7.44.84.05	7.44.84.06	
Version 10mm Ø		7.44.12.03	7.44.12.04	7.44.14.05	7.44.14.06	

Version with cable for Type 7.04.xx.xx and Type 7.44.xx.xx
Surcharge per meter

1xFe-CuNi	2xFe-CuNi	1xNiCr-Ni	2xNiCr-Ni
7.10.00.03	7.10.00.05	7.10.00.07	7.10.00.09

