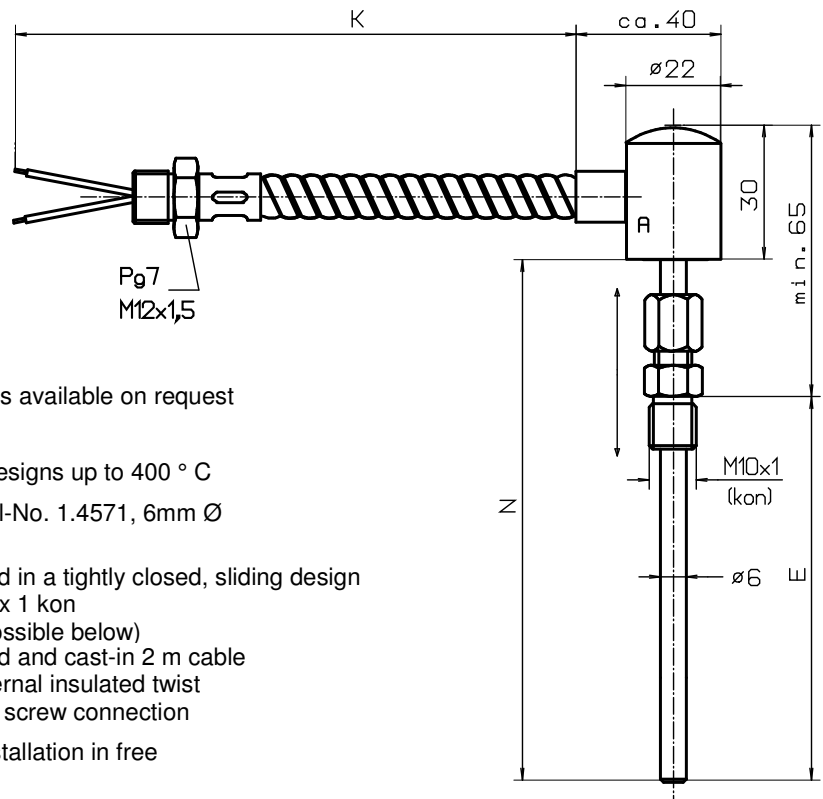


Small Push-in thermocouple with angular design cable input type 208


Thermocouple	Fe-CuNi, NiCr-Ni Other Thermocouples available on request
Operating temperature	to + 200 ° normal possible in special designs up to 400 ° C
Thermowell	VA-Material, Material-No. 1.4571, 6mm Ø
Crosshead	lacquered brass
Fitting	Steel cadmium plated in a tightly closed, sliding design Normal thread M 10 x 1 kon (see other thread possible below)
Connection	permanently attached and cast-in 2 m cable in PVC tube with internal insulated twist including M12X1,5 – screw connection
Safety class	IP55, Suitable for installation in free

Version Thread M10 x 1con

Total length in mm	E in mm	Weight in kg	Order no. 1 x Fe-CuNi	Order no. 2 x Fe-CuNi	Order no. 1 x NiCr-Ni	Order no. 2 x NiCr-Ni	Delivery time
100	40	0,30	1.27.04.11	1.27.04.12	2.27.04.11	2.27.04.12	All models are available by arrangement
150	90	0,35	1.27.04.21	1.27.04.22	2.27.04.21	2.27.04.22	
200	140	0,40	1.27.04.31	1.27.04.32	2.27.04.31	2.27.04.32	
250	190	0,45	1.27.04.41	1.27.04.42	2.27.04.41	2.27.04.42	
300	240	0,50	1.27.04.51	1.27.04.52	2.27.04.51	2.27.04.52	
350	290	0,55	1.27.04.61	1.27.04.62	2.27.04.61	2.27.04.62	
Addition	N per 50 mm		1.27.04.01	1.27.04.02	2.27.04.01	2.27.04.02	
	Cable length per 1 m		1.27.04.00	1.27.04.20	2.27.04.00	2.27.04.20	

Adjustable screw joints suitable for fitting , 6mm Ø

Thread	Galvanized steel	off the shelf	Stainless steel 1.4541	off the shelf
	M 10 x 1 Zyl.	0.70.12.00	x	8.04.04.40
1/8" NPT	0.55.12.00	x	8.05.05.30	x
G 1/8"	0.56.12.00	x	8.02.04.40	x
G 1/4"	0.57.12.00	x	8.01.04.40	x
G 1/2"	0.58.12.00	x	8.03.04.40	x
G 3/4"	0.59.12.00	x	8.06.04.10	x
G 1"	0.61.12.00	x	8.07.04.10	x
Spherical screw joint slidable VA			8.91.04.30	x
Spring fitting slidable R1/2"			8.90.04.10	x
Spring fitting slidable M 20 VA			8.90.04.40	x

Different fittings / system connection see chapter 18.5 / 18.6 / 18.7