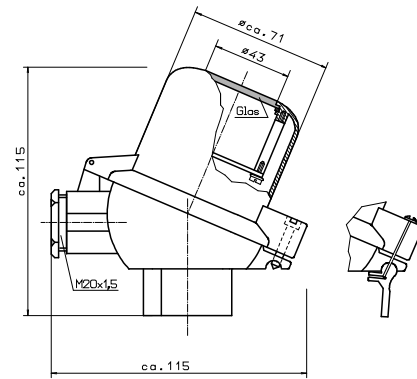


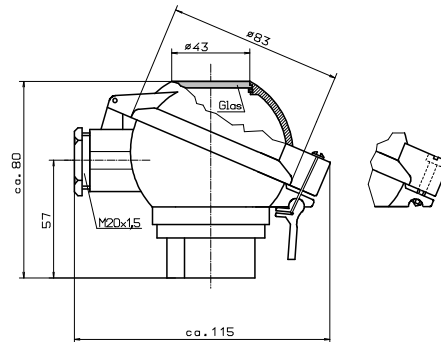
**Type A connection head, with a high sight glass lid**  
for direct temperature display

Shutter	Thread	Order no.
Screw	M24x1,5	8.00.00.14
Toggle	M24x1,5	8.00.00.15



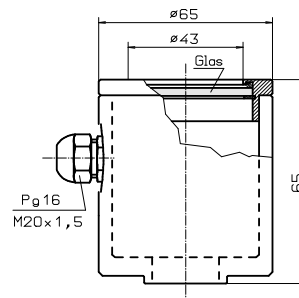
**Ball-terminal head Form A, with sight glass lid**  
for direct temperature display

Shutter	Thread	Order no.
Screw	M24x1,5	8.00.00.16
Toggle	M24x1,5	8.00.00.17



**VA-terminal head mat 1.4305, with sight glass lid**  
for direct temperature display

Shutter	Thread	Order no.
Screw cap	M24x1,5	8.00.00.16



**Digital Direct display**

only in combination with a transmitter, see page 11/18  
Transmitter see page 18/10