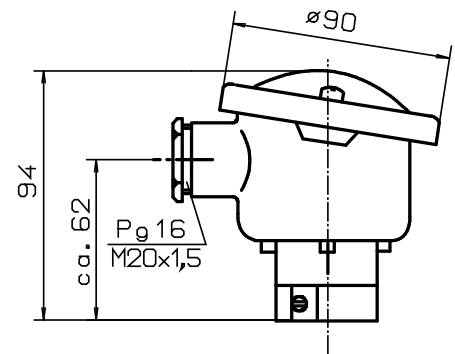


Connection head form A, light metal

Connector base	
Terminals	Order No.
Noble metal	
2-pole	8.00.00.01
4-pole	8.00.00.02
Unedel	
2-pole	8.00.00.03
4-pole	8.00.00.04

Connection head A	
Bore-Ø	Order No.
22mm	8.00.00.51
24mm	8.00.00.52
32mm	8.00.00.53

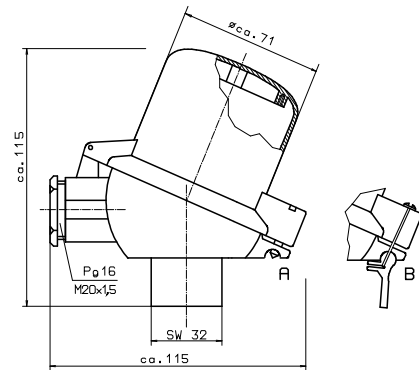


Connection head form A, Type DAAW, light metal

with high cover

Connector base	
Terminals	Order No.
Noble metal	
2-pole	8.00.00.01
4-pole	8.00.00.02
Unedel	
2-pole	8.00.00.03
4-pole	8.00.00.04

Connection head DAAW	
Bore-Ø	Order No.
22mm	8.00.00.54
24mm	8.00.00.55
32mm	8.00.00.56

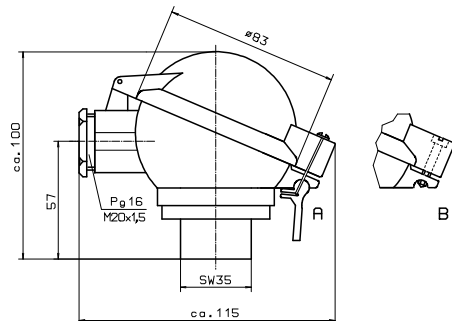


Connection head Type DA light metal

with toggle closure (with locking screw possible)

Connector base	
Terminals	Order No.
Noble metal	
2-pole	8.00.00.01
4-pole	8.00.00.02
Unedel	
2-pole	8.00.00.03
4-pole	8.00.00.04

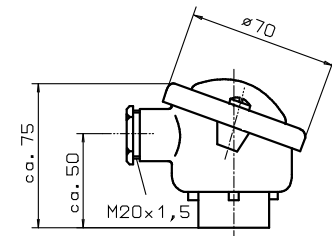
Connection head A	
Bore-Ø	Order No.
22mm	8.00.00.59
24mm	8.00.00.60
R1/2"	8.00.00.61



Connection head form B, light metal

Connector base with ledge	
Terminals	Order No.
2-pole	8.00.00.07
4-pole	8.00.00.08
6-pole	8.00.00.09

Connection head	
Bore-Ø	Order No.
15mm	8.00.00.57
M24x1,5	8.00.00.58



Connection head form B, type DANW, light metal

With high cover

Connector base with ledge	
Terminals	Order No.
2-pole	8.00.00.07
4-pole	8.00.00.08
6-pole	8.00.00.09

Connection head	
Bore-Ø	Order No.
15mm	8.00.00.64
M24x1,5	8.00.00.65

