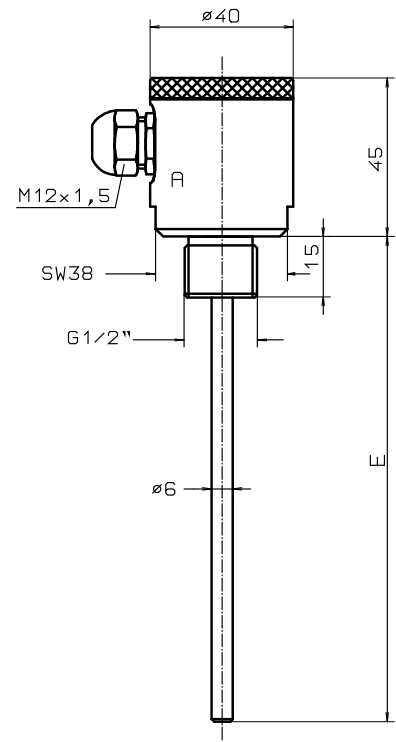


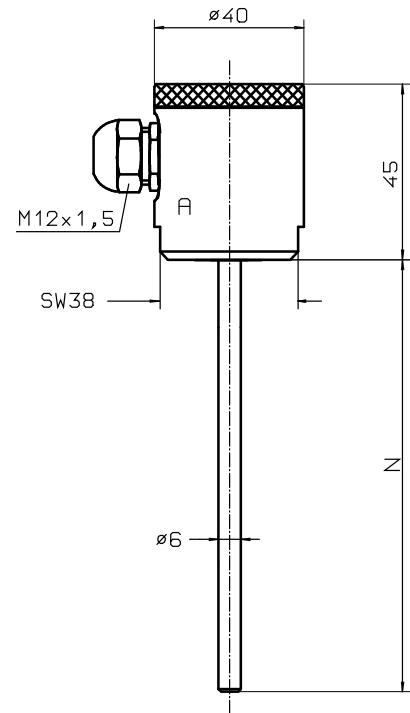
**Resistance thermometer with stainless steel connection head**  
 installed measuring resistance determined

<b>Measuring insert</b>	1 x PT 100 / 2 x PT 100 installed directly	
<b>Connection head</b>	all stainless steel mat. 1.4541 Cover with O-ring seal , screwed Plastic cable gland M 12 x 1,5	
<b>Immersion assembly</b>	M-No. 1.4571	
<b>Operating temperature</b>	300° C	
<b>Connection diagram</b>	See page 19.20	
<b>Response time (Average value)</b>	in water 0,4 m/s	: $t_{0,5} \approx 10$ s, $t_{0,9} \approx 26$ s
	in air 1m/s	: $t_{0,5} \approx 0,8$ min, $t_{0,9} \approx 2,5$ min



Version	Without neck tube, Thread R 1/2"			Delivery time
	E in mm	Order no. 1 x PT 100	Order no. 2 x PT100	
	50	4.51.20.11	4.51.20.12	All models are available by arrangement
	100	4.51.20.21	4.51.20.22	
	150	4.51.20.31	4.51.20.32	
	200	4.51.20.41	4.51.20.42	
	250	4.51.20.51	4.51.20.52	
	300	4.51.20.61	4.51.20.62	
Surcharge for 50 mm E		4.51.20.01	4.51.20.10	

Version	Without neck tube, without thread			Delivery time
	N in mm	Order no. 1 x PT 100	Order no. 2 x PT100	
	50	4.52.20.11	4.52.20.12	All models are available by arrangement
	100	4.52.20.21	4.52.20.22	
	150	4.52.20.31	4.52.20.32	
	200	4.52.20.41	4.52.20.42	
	250	4.52.20.51	4.52.20.52	
	300	4.52.20.61	4.52.20.62	
Surcharge for 50 mm N		4.52.20.01	4.52.20.10	



Fixing	Fitting	displaced for 6 mm sensor tube	
	Material	Thread	Order no.
	galvanized steel	G1/2"	0.58.12.00
	1.4541	G1/2"	8.03.04.40
	1.4541	G3/4"	8.06.04.10
	1.4541	G1"	8.07.04.10

Other system connections , see sheet- 18.5 / 18.6 / 18.7