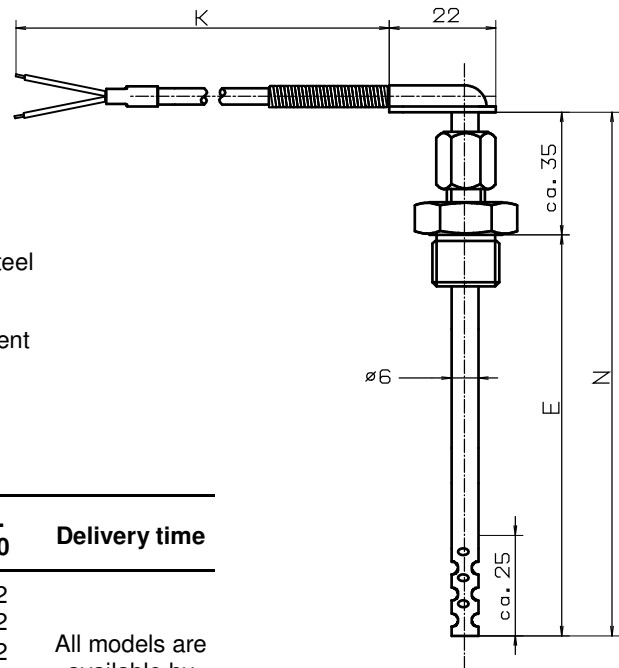


Resistance thermometer for gaseous media

Measuring insert	1 x PT 100 / 2 x PT 100
Operating temperature	Normal version to 300°C
Thermowell	Stainless steel Mat . 1.4541
Fitting	Moveable, galvanized steel stainless steel see sheet 18.5 and 18.6
Cable	Glass silk VA with external reinforcement disposal at a 90 ° angle



Version	6mm Ø				
Thermowell	E in mm	Order no. 1 x PT 100	Order no. 2 x PT 100	Delivery time	
1.4541	50	4.42.04.11	4.42.04.12	All models are available by arrangement	
	150	4.42.04.21	4.42.04.22		
	200	4.42.04.31	4.42.04.32		
	250	4.42.04.41	4.42.04.42		
	300	4.42.04.51	4.42.04.52		
Surcharge per 50 mm E		4.42.04.01	4.42.04.02		

Measuring insert	1 xPT100/2xPT100
Operating temperature	Normal version to 300° C
Thermowell	Stainless steel Mat . 1.4541
Fitting	Moveable, galvanized steel stainless steel see sheet 18.5 and 18.6
Cable	Glass silk VA with external reinforcement disposal straight

Version	6mm Ø				
Thermowell	E in mm	Order no. 1 x PT 100	Order no. 2 x PT 100	Delivery time	
1.4541	50	4.50.04.11	4.50.04.12	All models are available by arrangement	
	100	4.50.04.21	4.50.04.22		
	150	4.50.04.31	4.50.04.32		
	250	4.50.04.41	4.50.04.42		
	300	4.50.04.51	4.50.04.52		
Surcharge per 50 mm E		4.50.04.01	4.50.04.02		

