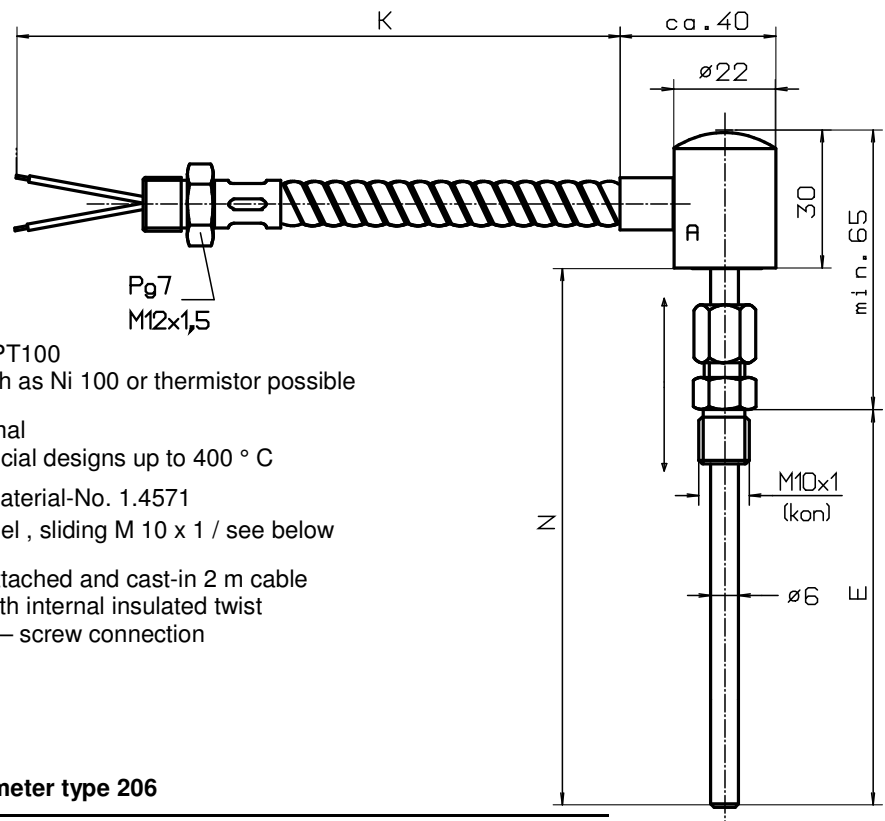


**Screw-in resistance thermometer
Type 206 and 208**
 with slidable fitting
 and potted connecting cable


Measuring insert	1 xPT100 / 2xPT100 other uses such as Ni 100 or thermistor possible
Operating temperature	to + 200 ° normal possible in special designs up to 400 ° C
Thermowell Fitting	VA-Material, Material-No. 1.4571 Galvanized steel , sliding M 10 x 1 / see below
Connection	permanently attached and cast-in 2 m cable in PVC tube with internal insulated twist including Pg 7 – screw connection
Safety class	IP55

Version Screw-in thermometer type 206

Fitting M 10 x 1 con	Total length in mm	E in mm	Weight in kg	Order no. 1 x PT 100	Order no. 2 x PT100
	100	40	0,30	4.27.04.11	4.27.04.12
	150	90	0,35	4.27.04.21	4.27.04.22
	200	140	0,40	4.27.04.31	4.27.04.32
	250	190	0,45	4.27.04.41	4.27.04.42
	300	240	0,50	4.27.04.51	4.27.04.52
	350	290	0,55	4.27.04.61	4.27.04.62
Additional mounting length 50 mm				4.27.04.10	4.27.04.20
Additional cable length 1 m				4.27.00.10	4.27.00.20
Version 3 - wire circuit				4.27.00.03	4.27.00.23
4 - wire circuit				4.27.00.04	4.27.00.24

Version Screw-in thermometer Typ 208

 Data such as type 206, but
 Connection with heat-resistant rubber cable max. 120 ° C

Safety class

IP55

Fitting M 10 x 1 con	Total length in mm	E in mm	Weight in kg	Order no. 1 x PT 100	Order no. 2 x PT100
	100	40	0,30	4.27.14.11	4.27.14.12
	150	90	0,35	4.27.14.21	4.27.14.22
	200	140	0,40	4.27.14.31	4.27.14.32
	250	190	0,45	4.27.14.41	4.27.14.42
	300	240	0,50	4.27.14.51	4.27.14.52
	350	290	0,55	4.27.14.61	4.27.14.62
Additional mounting length 50 mm				4.27.14.10	4.27.14.20
Additional cable length 1 m				4.27.00.10	4.27.00.20
Version 3 - wire circuit				4.27.00.03	4.27.00.23
4 - wire circuit				4.27.00.04	4.27.00.24

Alternative fittings and system connections see page 18.5 / 18.6 / 18.7