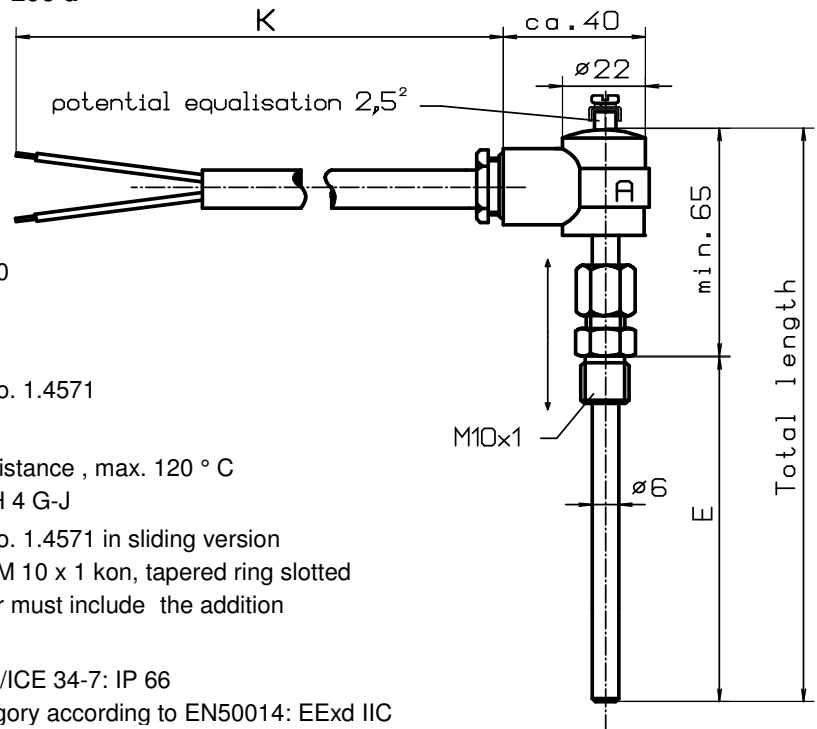


**Screw-in resistance thermometer Type T 206 d**

Ignition protection category EEx IIC T 6

 with slidable fitting  
and cast-in power cable


<b>Measuring insert</b>	1 x PT 100 / 2 x PT 100 1 x Ni 100/ 2 x Ni 100
<b>Measuring range</b>	-30° to + 100°C
<b>Thermowell</b>	VA-Material, Material no. 1.4571
<b>Connection</b>	firmly cast rubber hose with increased heat resistance , max. 120 ° C Ruber hose Typ 4 GmH 4 G-J
<b>Fitting</b>	VA-Material, Material no. 1.4571 in sliding version Normal version thread M 10 x 1 kon, tapered ring slotted In tight design the order must include the addition " Tight fitting "
<b>Safety class</b>	According to DIN40050/ICE 34-7: IP 66
<b>Certification</b>	Ignition protection category according to EN50014: EExd IIC certificate of Conformity: PTB Nr. Ex - 80 /1063

**Version Srew-in thermometer Typ T 206 d**

Fitting M 10 x 1 con	Total length in mm	E in mm	Weight in kg	Order no. 1 x PT100	Order no. 2 x PT100
	100	40	0,40	4.29.04.11	4.29.04.12
	150	90	0,45	4.29.04.21	4.29.04.22
	200	140	0,50	4.29.04.31	4.29.04.32
	250	190	0,55	4.29.04.41	4.29.04.42
	300	240	0,60	4.29.04.51	4.29.04.52
	350	290	0,65	4.29.04.61	4.29.04.62
Additional fitting length 50 mm				4.29.04.10	4.29.04.20
Additional cable length per 1m				4.29.00.10	4.29.00.20
Additional price 3-wire connection				4.29.00.03	4.29.00.23
Additional price 4-wire connection				4.29.00.04	4.29.00.24

Fitting/Thread Material no.. 1.4541	Stainless steel 1.4541	From stock
1/8" NPT	8.05.05.30	x
G 1/8"	8.02.04.40	x
G 1/4"	8.01.04.40	x
G 1/2"	8.03.04.40	x
G 3/4"	8.06.04.10	x
G 1"	8.07.04.10	x
Spherical screw joint slidable VA	8.91.04.30	x
Spring fitting slidable R1/2"	8.90.04.10	x
Spring fitting slidable M 20	8.90.04.40	x

Certificate of Conformity on demand  
 More probes with special approvals, see Chapter 8  
 More system connections see page 18.25 / 18.6 / 18.7