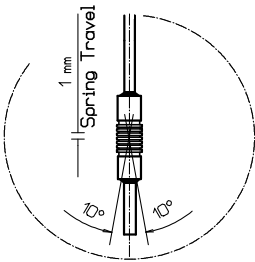
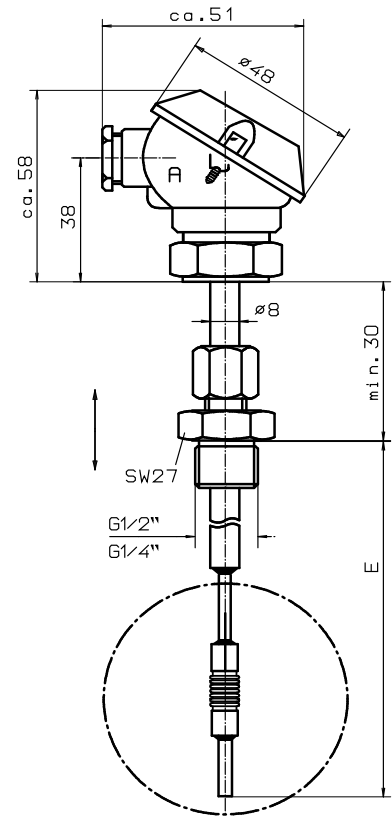
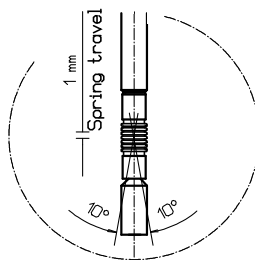
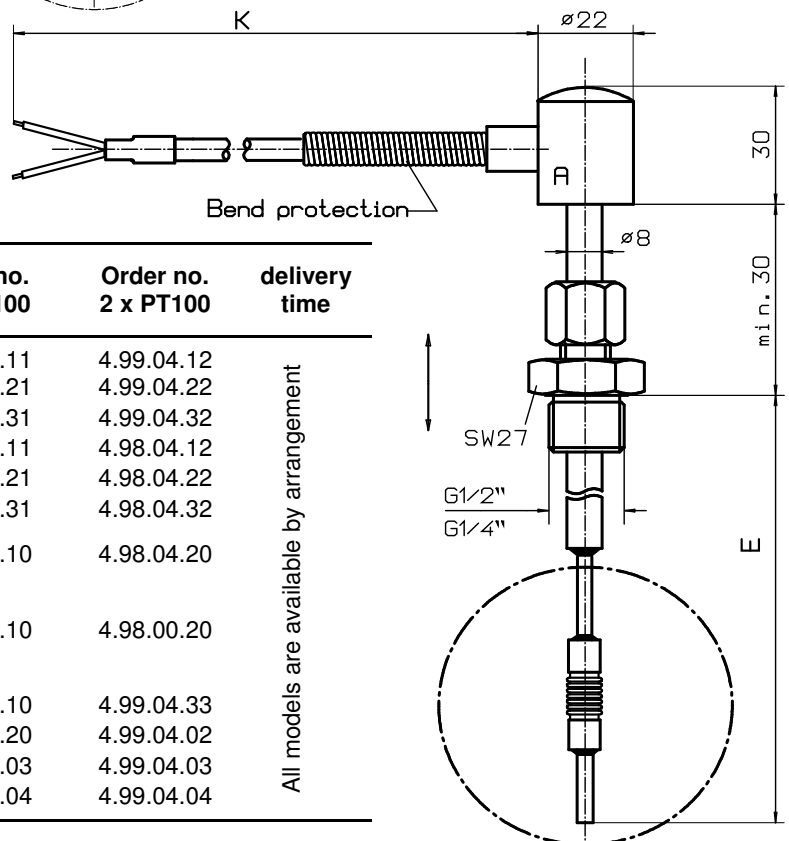


Special thermocouple T 86 - 040

with spring loaded, adaptable pressure-tight measuring tip

Measuring insert	1 x PT100 / 2 x PT100
Measuring range	Up to 300°C other temperature range possible in special design
Thermowell	VA-Material, Material no. 1.4541 tightly welded
Fitting	sliding, plated steel 1/4 " other system connections see page 18.5 / 18.6 / 18.7
Connection	Version A Connection head MA from light metal Version B permanently connected, tightly encapsulated Teflon cable with strain relief spring
Connection diagram	Page 19.20
Safety class	IP 65, suitable for outdoor installation

Version Tip 8 mm Ø

Version Tip 3,3 / 4,4 mm Ø

Version A

Version B

Version	N in mm	Order no. 1 x PT100	Order no. 2 x PT100	delivery time	
Version A	100	4.99.04.11	4.99.04.12	All models are available by arrangement	
	60	4.99.04.21	4.99.04.22		
	150	4.99.04.31	4.99.04.32		
Version B	100	4.98.04.11	4.98.04.12		
	60	4.98.04.21	4.98.04.22		
	150	4.98.04.31	4.98.04.32		
Additional N per 50 mm		4.98.04.10	4.98.04.20		
For Version B Additional cable length per 1m		4.98.00.10	4.98.00.20		
Special feature					
Tip 3,3Ø		4.99.04.10	4.99.04.33		
Tip 4,4Ø		4.99.04.20	4.99.04.02		
3- wire connection		4.99.00.03	4.99.04.03		
4- wire connection		4.99.00.04	4.99.04.04		