

Screw-in resistance thermometer

 with slidable fitting
 and pluggable connection cable

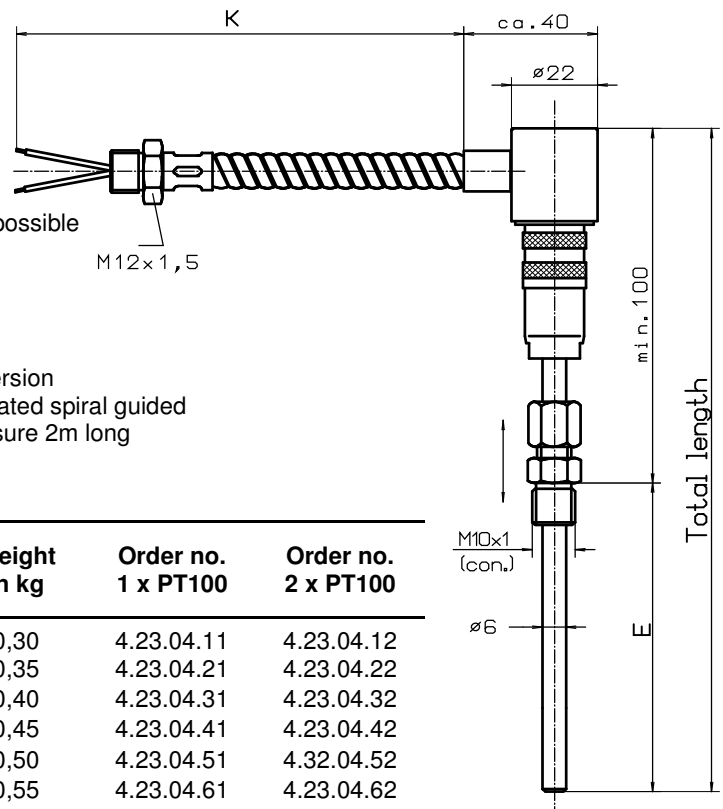
Measuring insert 1 x PT 100 / 2 x PT 100
 1 x Ni 100 / 2 x Ni 100
 other operations such as thermistor possible

Measuring range normal to +150°C
 in special design to +400° C

Thermowell VA-Material, M-No. 1.4571

Connection on angled coupling piece screw-in version
 Cable in PVC tube with internal insulated spiral guided
 Including PG7/M 12 x 1,5 screw closure 2m long

Safety class IP41, suitable for outdoor installation



Version	Total length in mm	Installation length in mm	Weight in kg	Order no. 1 x PT100	Order no. 2 x PT100
Fitting	150	50	0,30	4.23.04.11	4.23.04.12
M 10x1 con	200	100	0,35	4.23.04.21	4.23.04.22
	250	150	0,40	4.23.04.31	4.23.04.32
	300	200	0,45	4.23.04.41	4.23.04.42
	350	250	0,50	4.23.04.51	4.32.04.52
	400	300	0,55	4.23.04.61	4.23.04.62
Additional fitting length 50 mm				4.23.04.10	4.23.04.20
Additional cable length per 1m				4.23.00.10	4.23.00.20
Additional price 3-wire connection				4.23.00.03	4.23.00.23
Additional price 4-wire connection				4.23.00.04	4.23.00.24

Fittings / System Connections, please see page 18.5 / 18.6 / 18.7

Screw-in resistance thermometer

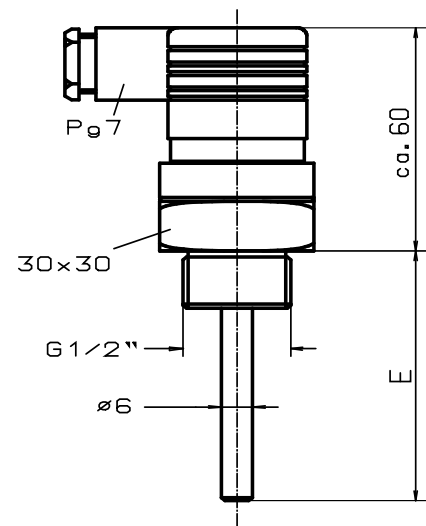
with base plate and angle connector

Measuring range 1 x PT 100 / 2 x PT 100
 Other uses such as Ni-Element or thermistor possible

Measuring range normal to +150°C
 in special design to +400° C

Connection on angled coupling piece
 Pg 7 fitting

Safety class IP65, suitable for outdoor installation



Material	Installation length	Order no. 1 x PT100	Order no. 2 x PT100
Messing	53	4.23.03.11	4.23.03.12
V2A (1.4541)	50	4.23.14.11	4.23.14.12
Additional fitting length 50 mm		4.23.14.10	4.23.14.20
V4A(1.4571)	50	4.23.20.11	4.23.20.12
Additional fitting length 50 mm		4.23.20.10	4.23.20.20
Additional price 3-wire connection		4.23.14.03	
Additional price 4-wire connection		4.23.14.04	