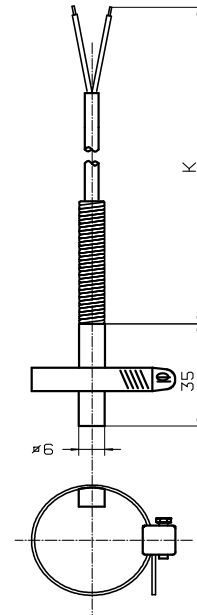


Tube contact resistance thermometer

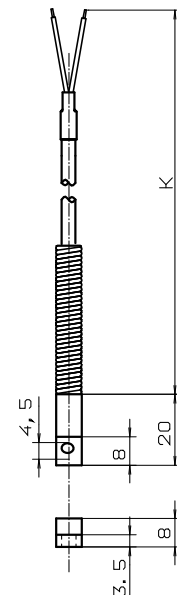
| | |
|------------------------------|---|
| Version | with fixed connection cable 1 m long |
| Measuring insert | 1 x PT100 / 2 x PT100 |
| Operating temperature | Standard version with Teflon cable up to 250 ° C higher temperatures possible on request |
| Material | Clamp and measuring armature completely made of stainless steel material |
| Holder | with adjustable worm thread clamp |

| Nominal-Ø in mm | Order no. 1 x PT 100 | Order no. 2 x PT 100 |
|-----------------|----------------------|----------------------|
| 11-20 | 4.47.04.11 | 4.47.04.12 |
| 17-32 | 4.47.04.21 | 4.47.04.22 |
| 27-51 | 4.47.04.31 | 4.47.04.32 |
| 40-64 | 4.47.04.41 | 4.47.04.42 |
| 64-89 | 4.47.04.51 | 4.47.04.52 |


Contact sensor with mounting hole

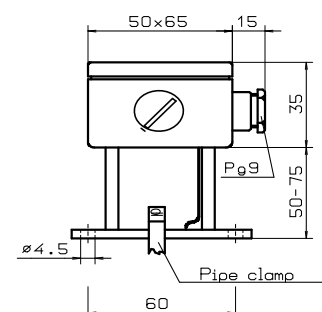
| | |
|------------------------------|---|
| Version | with fixed connection cable 1 m long |
| Measuring insert | 1 x PT100 / 2 x PT100 |
| Operating temperature | Standard version with Teflon cable up to 250 ° C higher temperatures possible on request |
| Material | Material-No. 1.4305 |

| | Order no. 1 x PT 100 | Order no. 2 x PT 100 |
|------------------|----------------------|----------------------|
| | 4.47.14.11 | 4.47.14.12 |
| Addition | | |
| 1 m cable length | 4.47.00.01 | 4.47.00.02 |
| 3- wire circuit | 4.47.00.03 | 4.47.00.04 |
| 4- wire circuit | 4.47.00.05 | 4.47.00.06 |


Tube contact resistance thermometer

| | |
|------------------------------|--|
| Version | with terminal box |
| Measuring insert | 1 x PT100 / 2 x PT100 |
| Operating temperature | 300° C normal version higher temperatures possible on request |
| Material | Clamp and fittings made of VA material W-Nr. 1.4571 Terminal housing as ALU -cast |
| Safety class | IP 65 suitable for outdoor installation |
| Holder | by infinitely adjustable worm thread clamp |

| N-Ø in mm | Order no. 1 x PT100 | Order no. 2 x PT 100 |
|----------------|---------------------|----------------------|
| 11-20 | 4.47.04.61 | 4.47.04.62 |
| 17-32 | 4.47.04.71 | 4.47.04.72 |
| 27-51 | 4.47.04.81 | 4.47.04.82 |
| 40-64 | 4.47.04.91 | 4.47.04.92 |
| 64-89 | 4.47.04.01 | 4.47.04.02 |
| Addition | | |
| 3-wire circuit | 4.47.00.07 | 4.47.00.08 |
| 4-wire circuit | 4.47.00.09 | 4.47.00.10 |



Supplement Delivery to other pipe sizes are possible