

### Sheath resistance thermometer

<b>Element</b>	1 x PT 100 / 2 x PT 100
<b>Working-temperature</b>	Standard version up to 400°C Special version up to 600°C
<b>Connecting</b>	Datasheet 19.20
<b>Construction</b>	Supply cable in pipe SS (Material No. 1.4541) with internal copper-zircon wire. Mineral isolated welded precision resistor which is also mineral isolated.

#### Version With securely connected, potted cable

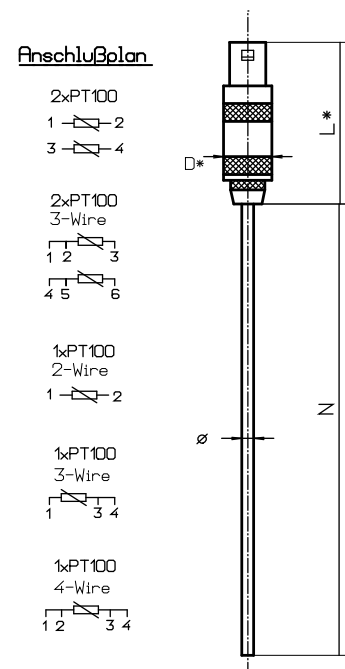
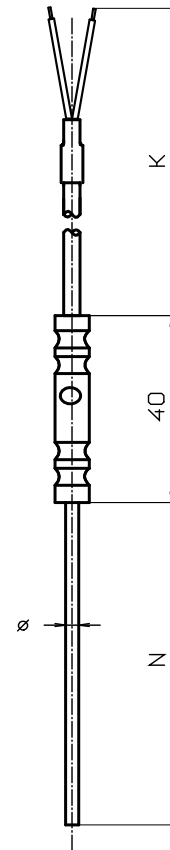
Cable length 1m, single and common Teflon isolated

Sensor pipe -Ø	N in mm	Order-No. 1 x PT 100	Order-No. 2 x PT100
3mm	100	4.61.04.11	4.61.04.12
5mm	100	4.61.04.21	4.61.04.22
6mm	100	4.61.04.31	4.61.04.32
Additional price for 100 mm N		4.61.04.10	4.61.04.20
Additional price for 1 m cable length		4.61.00.10	4.61.00.20

Thermowell/ Probe tip	N in mm	Order-No. 1 x PT 100	Order-No. 2 x PT100
3/4 mm x 40mm	100	4.61.04.51	4.61.04.52
5/6mm x 40mm	100	4.61.04.61	4.61.04.62
6/7mm x 40mm	100	4.61.04.71	4.61.04.72
Additional price for 100 mm N		4.61.04.10	4.61.04.20
Additional price for 1 m cable length		4.61.00.10	4.61.00.20

#### Version With built on connector

Thermowell -Ø	N in mm	Order-No. 1 x PT 100	Order-No. 2 x PT100	Connector size
3mm	100	4.62.04.11	4.62.04.12	1
5mm	100	4.62.04.21	4.62.04.22	2
6mm	100	4.62.04.31	4.62.04.32	2
Additional price for 100 mm N		4.62.04.10	4.62.04.20	
Thermowell/ Probe tip	N in mm	Order-No. 1 x PT 100	Order-No. 2 x PT100	
3/4 mm x 40mm	100	4.62.04.51	4.62.04.52	1
5/6mm x 40mm	100	4.62.04.61	4.62.04.62	2
6/7mm x 40mm	100	4.62.04.71	4.62.04.72	2
Additional price for 100 mm N		4.62.04.10	4.62.04.20	



Dimensions L\*, D\* see datasheet 14.3